

EXOCUTOR™

Professional Electric Insect Control

Please read these instructions carefully and store in a safe place for future reference.

EXOCUTOR™

As part of the **Insect-O-Cutor®** brand of insect control products, **Exocutor™** is an effective and flexible commercial flykiller which utilises highly effective UV tubes. Available in a white or stainless steel finish, four sizes of unit are available which can be wall mounted, ceiling suspended or desk mounted.

CONTENTS OF PACKAGE

- 1 x Exocutor™ flykiller
- 1 x Mains cable (Type X)
- 2 x Screws, wall plugs and suspension keyrings
- 2 x High powered UV tubes (Fitted)

WARNING - THIS APPLIANCE MUST BE EARTHED (CLASS 1)

INSECT CONTROL PRODUCTS

Exocutor™ utilises ultra violet tubes to attract flying insects and then electrocutes them on a killing grid, before collecting them in a removable catch tray.

WARNING

Exocutor™ is not to be used by persons with reduced physical, sensory or mental capabilities, or lack of experience and training, unless they have been given instruction.

Children should be supervised to ensure they do not play with the appliance.

If the mains cable is damaged it must be replaced by a specialist mains cable available from Pelsis Ltd or your supplier.

Not suitable for applications where potentially explosive environments may exist.

POSITIONING AND GUIDANCE FOR USE

THIS UNIT IS FOR INDOOR USE ONLY. NOT SUITABLE FOR USE IN BARN, STABLES & SIMILAR LOCATIONS.

Exocutor™ should ideally be fixed around two meters above the ground, preferably in the darkest place within the area to be protected. Do not position the unit close to windows, skylights or other sources of light, or where it may be obscured by furniture, doors or other obstacles. Ideally, **Exocutor™** should be visible from every part of the area to be protected.

Exocutor™ should ideally be in operation for 24 hours a day, ensuring your premises are kept free of flying insects. Insects are most attracted to **Exocutor™** units at night when there is no competition from daylight or other light sources.

GUARANTEE

Exocutor™ has a three year guarantee and if maintained as recommended in these instructions should continue to work for many years.* Use of non-approved consumables may invalidate the guarantee.

*Excludes tubes and starters. Does not cover breakdown due to misuse, incorrect operation or use in an incorrect application.

INSTALLATION

INSTALLATION SHOULD BE CARRIED OUT BY SERVICE PERSONNEL ONLY.

Exocutor™ should be mounted as shown in the mounting options section of this document. Keep out of reach of children. Use the removable mains lead and plug to connect **Exocutor™** to a power supply of appropriate rating, as specified on the specification label found on the catch tray.

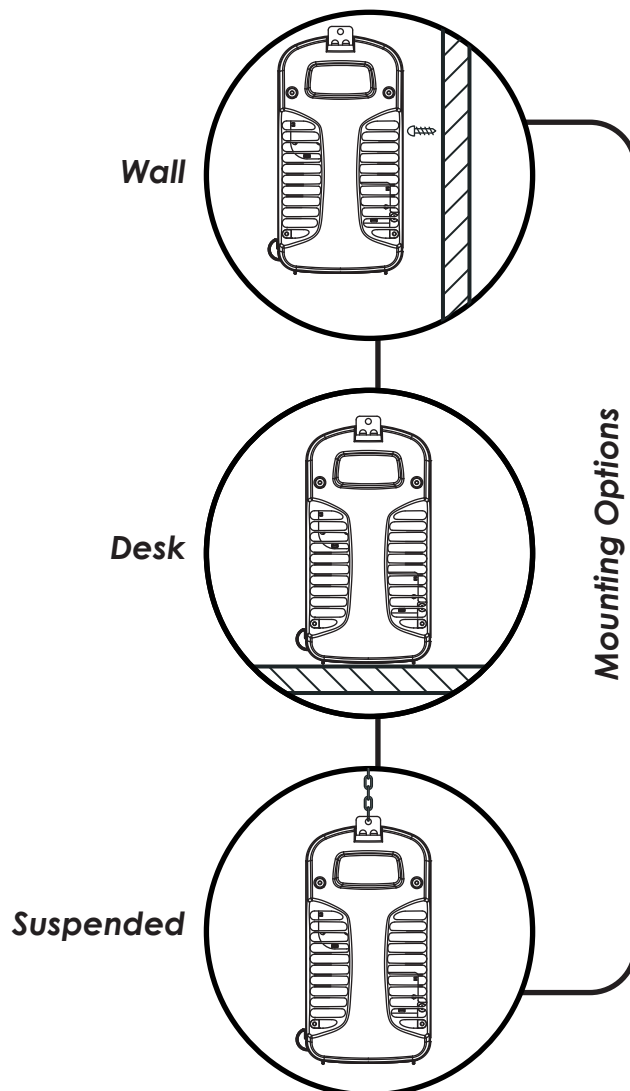
CLEANING

CLEANING SHOULD BE CARRIED OUT BY SERVICE PERSONNEL ONLY, AFTER ENSURING THAT THE UNIT IS DISCONNECTED FROM THE MAINS SUPPLY.

It is recommended that cleaning is carried out regularly every month. During cleaning the unit should be thoroughly wiped down with a damp cloth, removing any build up of dirt. Ensure the unit is completely dry before reconnecting it to the power supply.

MOUNTING FIXING CENTRES

METHOD	EX16	EX30	EX40	EX80
Wall	174mm	310mm	455mm	455mm
Desk	-	-	-	-
Suspended	338mm	488mm	640mm	640mm

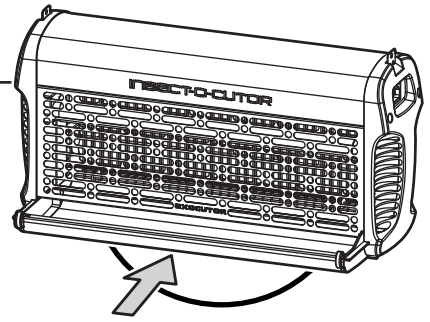


EX16, 30, 40 & 80

CATCH TRAY REMOVAL

The catch tray is connected to the power supply of the unit via a hidden switch. By removing the catch tray, the connection is broken and power is cut to the unit. This ensures safe access to the unit for servicing and cleaning.

NB - WHEN REPLACING THE CATCH TRAY BACK INTO EXOCUTOR™, ENSURE IT IS PUSHED FULLY INTO POSITION AND THAT POWER IS RESTORED TO THE UNIT.



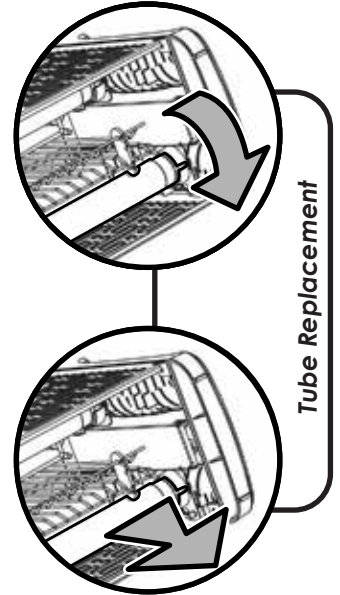
TUBE REPLACEMENT

TUBE REPLACEMENT SHOULD BE CARRIED OUT BY SERVICE PERSONNEL ONLY, AFTER ENSURING THAT THE UNIT IS DISCONNECTED FROM THE MAINS SUPPLY.

To ensure the efficiency of **Exocutor™** in catching flying insects, the UV tubes should be replaced annually. After twelve months the phosphor coating that emits the correct wavelength of UV light has burnt away and the UV output is diminished substantially.

To replace the UV tubes...

1. Remove the catch tray, breaking the power supply to the unit.
2. Rotate the tube through 90°, freeing it from the tube holders.
3. Pull the tube away from the chassis.
4. Dispose of the used UV tubes in conjunction with local WEEE regulations.



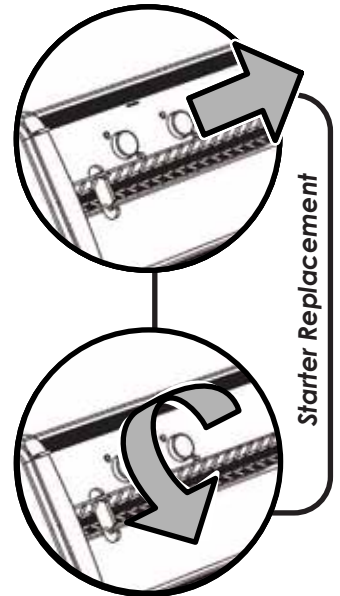
STARTER REPLACEMENT

STARTER REPLACEMENT SHOULD BE CARRIED OUT BY SERVICE PERSONNEL ONLY, AFTER ENSURING THAT THE UNIT IS DISCONNECTED FROM THE MAINS SUPPLY.

The starters provide an extra spark to initially light the UV tubes. Starters wear out and should be replaced at the same intervals as the UV tubes.

To replace the starters...

1. Rotate the starter anti-clockwise.
2. Pull the starter free from the unit.



SPECIFICATION / REPLACEMENT PARTS

Unit	EX16	Unit	EX30
Voltage	230V ~ 50Hz	Voltage	230V ~ 50Hz
Dimensions(mm)	390 x 140 x 265	Dimensions(mm)	538 x 140 x 265
Coverage	50 Sq. Meters	Coverage	100 Sq. Meters
Weight	3.3 Kg	Weight	4.5 Kg
Light Output	16W	Light Output	30W
Tubes	2 x TPX8-12	Tubes	2 x TPX15-18
Starter	2 x I154	Starter	2 x I154
Tray (W / S/S)	T-EX16W / T-EX16S	Tray (W / S/S)	T-EX30W / T-EX30S

Unit	EX40	Unit	EX80
Voltage	230V ~ 50Hz	Voltage	230V ~ 50Hz
Dimensions(mm)	694 x 140 x 265	Dimensions(mm)	694 x 140 x 265
Coverage	140 Sq. Meters	Coverage	280 Sq. Meters
Weight	5.6 Kg	Weight	5.7 Kg
Light Output	40W	Light Output	80W
Tubes	2 x TPX18-24	Tubes	2 x TPX36-24
Starter	2 x I154	Starter	2 x I154
Tray (W / S/S)	T-EX40W / T-EX40S	Tray (W / S/S)	T-EX40W / T-EX40S

⚡ DANGEROUS VOLTAGE