



- Automatic price updates
- Time saving
- Customisation
- Price control
- Sustainability
- Security

# eTAG EPELSA

**Electronic Shelf Label**  
RETAIL TECHNOLOGICAL SOLUTIONS



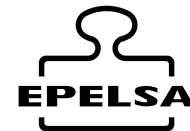
**eTAG** ESL  
Product catalogue

CERTIFIED BY GRUPO EPELSA SLU



# eTAG

RETAIL TECHNOLOGICAL SOLUTIONS  
Electronic Shelf Label



## OVERVIEW

EPELSA eTAG electronic labels are the definitive technological solution for price management in your business. These electronic labels offer unrivalled efficiency, based on a commitment to the environment to reduce paper and waste, provide instant updates and are highly cost-effective. With eTAG EPELSA, your shop can take a leap forward in price management, forgetting the tedious task of changing prices manually every day.

### Unrivalled efficiency

Imagine saying goodbye to hours spent changing the prices of products on the shelves. With eTAG EPELSA, you can have your prices always up to date automatically. This not only saves time, but also ensures that your customers always see the correct prices which enhances their experience.

### Ecological and economical

Our electronic labels are designed with the environment in mind. By eliminating the need for disposable paper labels, eTAG EPELSA helps reduce paper and plastic waste. They are also highly economical in the long run, eliminating the recurring costs of printing paper labels.

### Full integration

eTAG EPELSA integrates smoothly with your shop's scale network, simplifying price management. If you are using Epelsa's Nautilus software, your price changes will instantly reach not only the scales but also the electronic labels in the store. This not only saves time, but also minimises human errors and a consistency across all sales channels. The image of your shop will also be benefited from having attractive electronic labels that will attract customers.

### Increase Sales

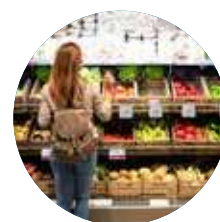
By always having up-to-date prices and more efficient price management, eTAG EPELSA can help increase your sales. Your customers will have the confidence that they are getting the best price, which builds customer loyalty and satisfaction.

In short, eTAG EPELSA electronic labels are the technology solution that your business needs to simplify price management, be more efficient, save money and improve customer experience. Don't wait any longer to take the leap into the future of price management with EPELSA eTAG.

### ETAG EPELSA APPLICATIONS



Supermarket shelves



Fruit counters, perishables, delicatessen, butcher shop



Fish, seafood, frozen



Storage

**ETAG EPELSA ADVANTAGES**

# RETAIL SOLUCIONES

**UPDATED PRICES  
FAST AND DAILY  
IN YOUR BUSINESS**

1

## **Fast**

*It allows prices to be updated in real time.*

2

## **Efficiency**

*In a short time, all labels in the shop are changed daily. Fast daily price changes.*

3

## **Cost-effective**

*Saves on labour cost involved in labelling products. Up to 85% time reduction*

4

## **Optimization**

*Time savings allow for HIGHER PRICE ROTATION.*

5

## **Integration**

*Epelsa Etag system can be integrated into any PC scale network and at any business*

6

## **Ecological**

*Paperless thanks to electronic labels is a friendly environmentally solution*

7

## **Convenience**

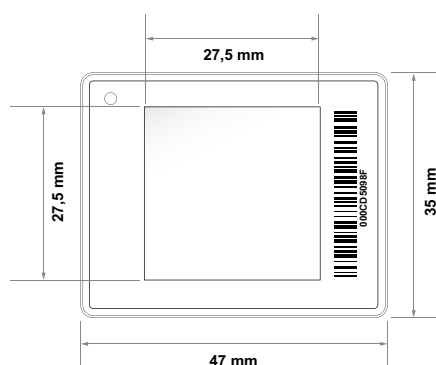
*Just as prices can be changed from the scales, such changes can be made online via Epelsa NAUTILUS platform*

8

## **Marketing tool**

*The appearance of electronic labels give the store a modern and technological image*





## S-ET0154R

ref. 000570010482

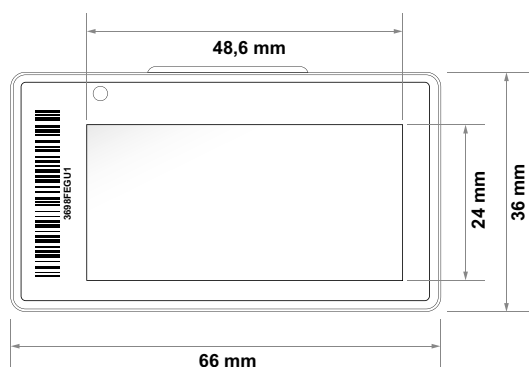
### Electronic Ink Shelf Label (1,54")

<i>Inches</i>	1,54"
<i>Lightning</i>	3-color LED light up to 7 combinations (R,G,B,C,M,Y,W)
<i>Resolution</i>	152(H)*152(V), 140 Dpi
<i>Label size</i>	47 x 35 x 14mm (W x H x H)
<i>Screen size</i>	27.5 x 27.5mm
<i>Screen type</i>	E-ink display, dot matrix
<i>Screen color</i>	3 colors (B/W/R)
<i>Characteristics</i>	Quick Release Battery
<i>Battery</i>	CR2450 (1ea), 5 years
<i>Working temperature</i>	0° C ~ 40° C
<i>Compatible accessories</i>	S-S100, S-C2, S-C3, S-D2



pvp

# 14,38€



## S-ET0213R

ref. 000570010483

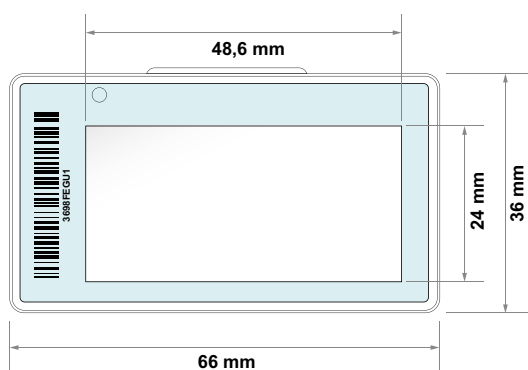
### Electronic Ink Shelf Label (2,1")

<i>Inches</i>	2,13"
<i>Lightning</i>	3-color LED light up to 7 combinations (R,G,B,C,M,Y,W)
<i>Resolution</i>	212(H)*104(V), 111 Dpi
<i>Label size</i>	66 × 36 × 13mm (width x height x depth)
<i>Screen size</i>	48.6 x 24mm
<i>Screen type</i>	e-ink display, dot matrix
<i>Screen color</i>	3 colors (B/W/R)
<i>Characteristics</i>	Quick Release Battery
<i>Battery</i>	CR2450 (2ea), 5 años
<i>Working temperature</i>	0° C ~ 40° C
<i>Compatible accessories</i>	S-S100, S-C2, S-C3, S-D2, S-AC128



pvp

# 14,25€



## S-ET0213F

ref. 000570010484

### Electronic Ink Shelf Label for freezer (2,13")

Inches	2.13"
Lightning	3-color LED light up to 7 combinations (R,G,B,C,M,Y,W)
Resolution	212(H)*104(V), 111 Dpi
Label size	66 × 36 × 13mm (width x height x depth)
Screen size	48.6 x 24mm
Screen type	E-ink display, dot matrix
Screen color	2 colors (B/W)
Characteristics	Quick Release Battery
Battery	CR2450 (2ea), 5 years
Working temperature	-20° C ~ 15° C
Compatible accessories	S-S100, S-C2, S-C3, S-D2, S-AC128



pvp  
**16,61 €**



## S-ET290

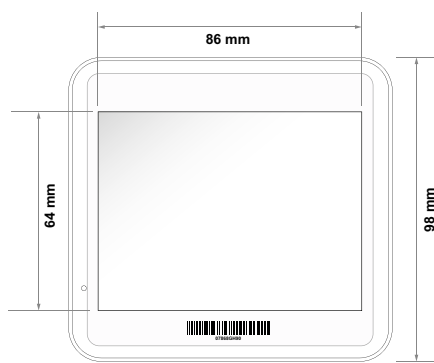
ref. 000570010485

### Electronic Ink Shelf Label (2,9")

Inches	2.9"
Lightning	3-color LED light up to 7 combinations (R,G,B,C,M,Y,W)
Resolution	296(H)*128(V), 112Dpi
Label size	88 × 43 × 13mm (width x height x depth)
Screen size	67 × 29mm
Screen type	E-ink display, dot matrix
Screen color	3 colors (B/W/R)
Characteristics	Quick Release Battery
Battery	Battery: CR2450 (2ea), 5 years
Working temperature	0° C ~ 40° C
Compatible accessories	S-S100, S-C2, S-C3, S-D2, S-AC128



pvp  
**16,96 €**



## S-ET420

ref. 000570010486

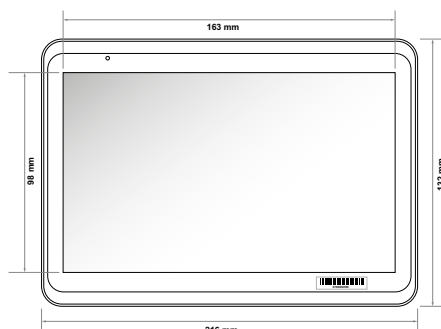
### Electronic Ink Shelf Label (4,2")

<i>Inches</i>	4,2"
<i>Lightning</i>	3-color LED light up to 7 combinations (R,G,B,C,M,Y,W)
<i>Resolution</i>	400(H)*300(V), 120Dpi
<i>Label size</i>	104 x 98 x 14mm (width x height x depth)
<i>Screen size</i>	86x64mm
<i>Screen type</i>	E-ink display, dot matrix
<i>Screen color</i>	3 colors (B/W/R)
<i>Characteristics</i>	Replacement battery
<i>Battery</i>	CR2450 (ea), 5 years
<i>Working temperature</i>	0° C ~ 40° C
<i>Compatible accessories</i>	S-S100, S-C2, S-AC401, S-AC128, S-AC402, S-AC404, S-AC405, S-AC403



pvp

# 40,16€



## S-ET750

ref. 000570010487

### Electronic Ink Shelf Label (7,5")

<i>Inches</i>	7,5"
<i>Lightning</i>	3-color LED light up to 7 combinations (R,G,B,C,M,Y,W)
<i>Resolution</i>	640(H)*384(V), 100Dpi
<i>Label size</i>	216 × 132 × 9mm (width x height x depth)
<i>Screen size</i>	163 × 98mm
<i>Screen type</i>	E-ink display, dot matrix
<i>Screen color</i>	3 colors (B/W/R)
<i>Characteristics</i>	Replacement battery
<i>Battery</i>	CR2450 (6ea), 5 years
<i>Working temperature</i>	0° C ~ 40° C
<i>Compatible accessories</i>	S-AC701, S-AC702



pvp

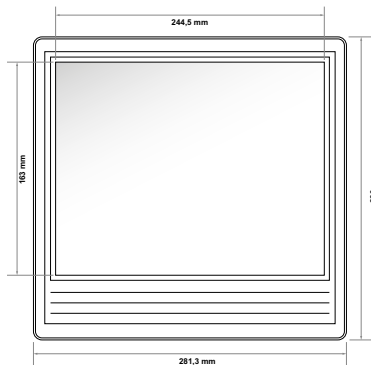
# 84,98€



## SET116 ref. 000570010488

### Electronic Ink Shelf Label (11,6")

<i>Inches</i>	11,6"
<i>Lightning</i>	3-color LED light up to 7 combination (R.G, B.C, M, Y, W)
<i>Resolution</i>	640(H)*960(V), 100 Dpi
<i>Label size</i>	281.3 x 229 x 17.8mm (W x H x H)
<i>Screen size</i>	244.5 x 163mm (W x H x H)
<i>Screen type</i>	E-ink display, dot matrix
<i>Screen color</i>	3 colors (B/W/R)
<i>Characteristics</i>	Replacement battery
<i>Battery</i>	CR2450 (8ea), 5 years
<i>Working temperature</i>	0° C ~ 40° C



**pvp**  
**388,96€**



## S-ST2

ref. 000119085872

### Wireless Station

Communication: 433MHz RFID.  
 Interface: TCP/IP protocol via standard Ethernet cable or Wi-Fi (optional).  
 Control UI: Multiple stations in one group control via Internet or LAN.  
 Coverage: radio transmission >15 m. > 20,000 ESL controlled by one station.  
 Security: Hardware and software encryption to ensure the security of RF data.  
 Low RF transmission error rate (typical <1/10,000).  
 DC 5V or POE input power supported.

**pvp**  
**299,88€**





# Accessories



## S-S100

ref. 000571004585

### Plastic Strip / Sliding Guide

Compatible with: 2.1", 2.9", 4.2" labels

Length: 100cm, transparent color, easy installation, custom available, adjustable angle.

**8,85€**

## S-C2

ref. 000571004586

### Clip / Hanger

Compatible with: 2.1", 2.9" 4.2" label

Length: 70 x 40mm, easy installation, customized available, adjustable angle.

**1,82€**

## S-C3

ref. 000571004587

### Clip / Hanger

Compatible with: 2.1", 2.9" labels

Length: 50 x 40mm, easy installation, customized available, angle adjustable.

**1,09€**

## S-D2

ref. 000571004588

### Desktop label holder 2.1"/2.9"

Compatible with: 2.1", 2.9" labels

Transparent color, length: 50 x 22mm, easy installation.

**1,09€**

## S-AC401

ref. 000571004589

### Acrylic desktop label holder 4.2"

Compatible with: 4.2" labels

Transparent color, easy installation, customized available, size: 8 x 8 x 4 cm.

**2,63€**

## S-AC128

ref. 000571004590

### 360 degree Acrylic Clamp

Compatible with: 2.1", 2.9" 4.2" labels

Opaque color, easy installation, custom available, adjustable angle.

**2,24€**

## S-AC404

ref. 000571004592

### Waterproof case for 4.2" labels

Compatible with: 4.2" labels

Transparent color, waterproof, use for seafood area, fish shop, etc.

**5,22€**

## S-AC405

ref. 000571004593

### Ice Holder

Compatible with: 4.2" labels

White color, easy installation.

**1,39€**





**S-AC403** ref. 000571004594

**Hanger (glass tank) for 4.2" labels**

Compatible with: 4.2" labels

Transparent color, easy installation, use: seafood area, glass fish tank, etc.

**1,82€**



**S-AC701** ref. 000571004595

**Acrylic desktop label holder 7.5"**

Compatible with: 7.5" labels

Transparent color, easy installation, customized available, size: 8 x 8 x 4 cm.

**2,55€**



**S-AC702** ref. 000571004596

**7.5" Acrylic Tag Hanger Clip**

Compatible with: 7.5" labels

Transparent color, easy installation, customized available, adjustable angle.

**1,52€**

**eTAG Electronic Shelf Label**  
**COMPATIBLE ACCESSORIES**

Image	ESL	Label Size	Model	Ref.	Compatible accessories
	ESL	1,54"	S-ET0154R	000570010482	S-S100, S-C2, S-C3, S-D2
	ESL	2,1"	S-ET0213R	000570010483	S-S100, S-C2, S-C3, S-D2, S-AC128
	ESL freezer	2,1"	S-ET0213F	000570010484	S-S100, S-C2, S-C3, S-D2, S-AC128
	ESL	2,9"	S-ET290	000570010485	S-S100, S-C2, S-C3, S-D2, S-AC128
	ESL	4,2"	S-ET420	000570010486	S-S100, S-C2, S-AC401, S-AC128, S-AC402, S-AC404, S-AC405, S-AC403
	ESL	7,5"	S-ET750	000570010487	S-AC701, S-AC702
	ESL	11,6"	SET116	000570010488	-



# INSTALLATION IN STORE

# eTAG

SCALE LINK - ETAGS

## PC Scale

From the counter itself, using the software integrated into the PC scale, electronic labels can be created, edited and deleted

## Station S-ST2

Thanks to the wireless station S-ST2 with TCP/IP protocol, the price change signal is sent immediately and securely to all electronic labels in the store.

## eTAG

Immediately you can have updated prices for the entire store, without having to spend hours re-labeling.

# ETAG DIGITAL SYSTEM

EPELSA ELECTRONIC LABELS MANAGEMENT SOFTWARE

**aDRESS**  
**uPDATE**  
**eDIT**  
**dELETE**



## WHAT IS IT?

The perfect solution for greater and better price change in a store.

*Etag Digital System is the electronic label management software for eTAG EPELSA devices that allows interaction between the PC scale and the electronic price tags of a shop.*

*Based on a plugin installed on the scale, it is an application developed to perform advanced label management in a few steps.*

*In this way we can assign an electronic price tag to a product and then apply a design to the display. It will allow us to assign, update, edit and delete data such as the product name, description and price (among others) from the scale itself.*

*In the event that we change any data about the product on the scale, this means that in an instant all this information will be displayed conveniently and immediately on the shop's electronic labels.*

**It is necessary to purchase the ELECTRONIC LABEL SOFTWARE** to be able to configure the eTAG price holder.

*This software will provide you with all the necessary functionalities for the development and editing of the display content of each eTAG price holder as well as its management through the PC scale.*

*After the 1-year warranty period, it is recommended to extend the Software support time to benefit from useful updates and improvements as part of the evolution that the product will undergo in the following years.*



PC Scale  
TouchScale Model



You will have an HTML Designer for your price tags, including templates to optimize design times.



All the customization features you need for your labels.



Multiple design and categorization options to show a correct display of information in the store.



## OUR RANGE of PC SCALES

### WIDE RANGE OF SCALES

*Epelsa offers you a wide range of PC scales compatible with Etag Digital System with a wide range of options and high features. Counter and hanging scales, with printer and/or labeler.*

*In addition, we have EASY SHOP, a complete technological ecosystem of solutions that is made up of an interconnected and self-managed network of Pc scales together with a ticket turn and advertising display (Screen Easy Q) and a ticket turn dispenser (Easy Q).*



### **TOUCHSCALE FAMILY**

*Adapting to the environment  
The response to the needs of the  
present.*

*It combines the traditional  
weighing of a scale with the most  
modern technology and constantly  
evolving software, adapted to  
the requirements of all types of  
businesses.*



## **K-SCALE FAMILY**

*The complete tool for your business.*

*Ultimate commercial weighing system,  
friendly environment, high configurability  
and visual power.*



ML 500

CT-12

## **LOGISTICS EQUIPMENT**

*EPELSA has indicators and labelers with PC  
technology that allows functionalities for logistics  
activity that are completely compatible with EPELSA  
eTAGs.*

# EASY SHOP WHAT IS IT?

## THE HYPERCONNECTED SUPERMARKET

*Easy Shop transforms supermarkets into hyperconnected and technological spaces by using PC Scales that make up an interconnected and self-managed network. With the high quality turn and advertising display Screen Easy Q and Easy Q ticket turn dispenser connected to the Pc scale, Easy Shop revolutionizes the shopping experience by offering efficiency and simplicity for users.*

### Easy Q

Ticket turn dispenser connected to the scales

### PC Scales

Network scale system

### Screen Easy Q

Turn and advertising display system





# NAUTILUS

## THE DEFINITIVE DIGITAL TOOL TO CONTROL YOUR BUSINESS












*Software for the management and control of PC scales based on WEB TECHNOLOGY.*

*It allows the management of scales remotely through a web browser with an internet connection. In just a few steps you can have your scale network connected to the cloud and perfectly operational.*



<i>Image</i>	<i>Description</i>	<i>Model</i>	<i>Ref.</i>	<i>PVP / ud.</i>
	ESL (1,54")	S-ET0154R	000570010482	14,38 €
	ESL (2,1")	S-ET0213R	000570010483	14,25 €
	ESL Freezer (2,13")	S-ET0213F	000570010484	16,61 €
	ESL (2,9")	S-ET290	000570010485	16,96 €
	ESL (4,2")	S-ET420	000570010486	40,16 €
	ESL (7,5")	S-ET750	000570010487	84,98 €
	ESL (11,6")	SET116	000570010488	388,96 €
	Wireless Station	S-ST2	000119085872	299,88 €

**Accessories**

<i>Image</i>	<i>Description</i>	<i>Model</i>	<i>Ref.</i>	<i>PVP / ud.</i>
	Plastic Strip/Sliding Guide	S-S100	000571004585	8,85 €
	Clip / Hanger	S-C2	000571004586	1,82 €
	Clip / Hanger	S-C3	000571004587	1,09 €
	Desktop Label Holder 2,1''/2,9''	S-D2	000571004588	1,09 €
	Acrylic Desktop Label Holder 4,2''	S-AC401	000571004589	2,63 €
	360 degree Acrylic Clamp	S-AC128	000571004590	2,24 €
	Waterproof case for labels 4.2''	S-AC404	000571004592	5,22 €
	Ice holder	S-AC405	000571004593	1,39 €
	Hanger (glass tank) for labels 4.2''	S-AC403	000571004594	1,82 €
	Acrylic Desk Tag Holder 7.5''	S-AC701	000571004595	2,55 €
	7.5'' Acrylic Tag Hanger Clip	S-AC702	000571004596	1,52 €

**Software eTAG** **285,71€**

The eTAG Software is necessary for the functionality of the price tags and must be purchased together with the eTAG price tags for full functionality.

**Software maintenance / year** **142,86€**

IT IS RECOMMENDED TO EXTEND THE LIFETIME OF THE SUPPORT AND MAINTENANCE PERIOD OF THE ETAG SOFTWARE through a license that covers a period beyond the initial warranty, which will allow you to take advantage of the continuous updates and improvements offered, thus ensuring optimal functionality and consistent software performance over time.



#### MADRID

C/Punto Net, 3  
Parque Tecnológico TECNOALCALÁ  
28805 Alcalá de Henares Madrid  
Telf. +34 91 830 46 16  
Fax. +34 91 830 58 64  
info@grupoepelsa.com

BARCELONA / Berga  
Sant Bartomeu, 106-109  
Pol.Ind. La Vallan  
08600 Berga (Barcelona)  
Telf.. +34 93 822 13 33  
info@grupoepelsa.com

BARCELONA / Cornellá de Llobregat  
Passeig del Ferrocarrils Catalans, 117.  
3ª Planta, Oficina 25  
08940 Cornellá de Llobregat (Barcelona)  
Telf.. +34 93 654 62 12  
info@grupoepelsa.com

#### SEVILLA

Pol. Industrial La Red  
Calle 25 Nave 16  
41500 Alcala de Guadaira (Sevilla).  
Telf. +34 95 563 07 09  
info@grupoepelsa.com

#### FRANCE

EXA – Pesage Electronique  
4 rue Rémora.  
Zone d'Activités Rémora  
33170 Gradignan  
Tél :+33 556 757 780  
Fax : +33 587 720 012  
info@exa-france.com