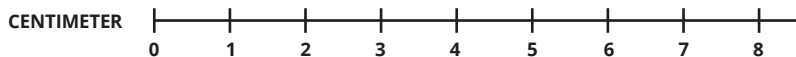
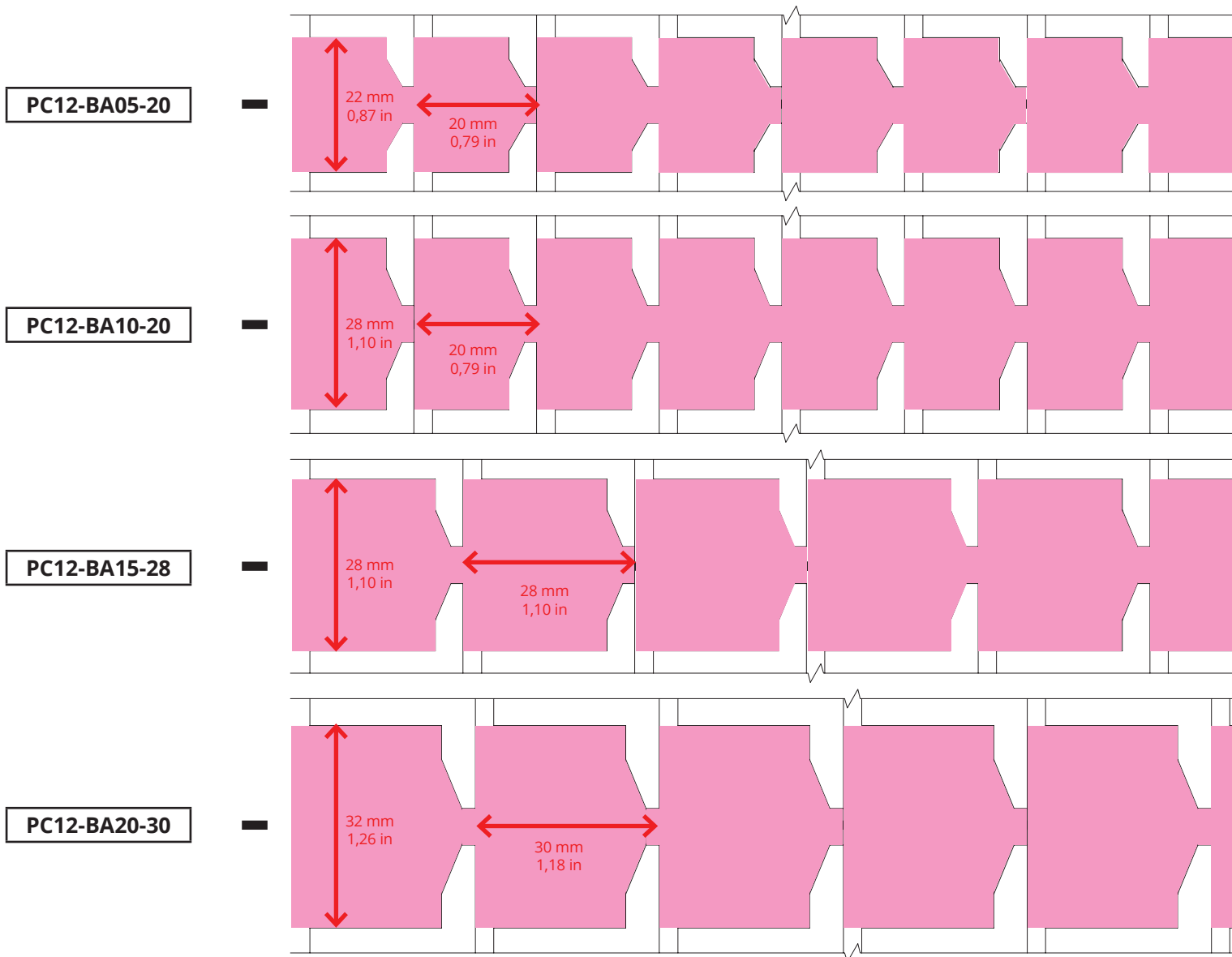


Use: Lay your prepared skewer on the image and define which type of product tray fits the best according your skewer, this should ease the process to choose the correct tray

Note 1: This image is an intersection of the product trays, please note that the cavities of the trays - with exception of trays for shrimps and mini sausages - are round

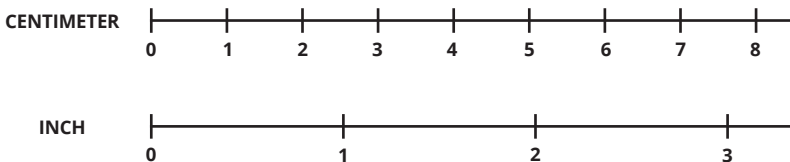
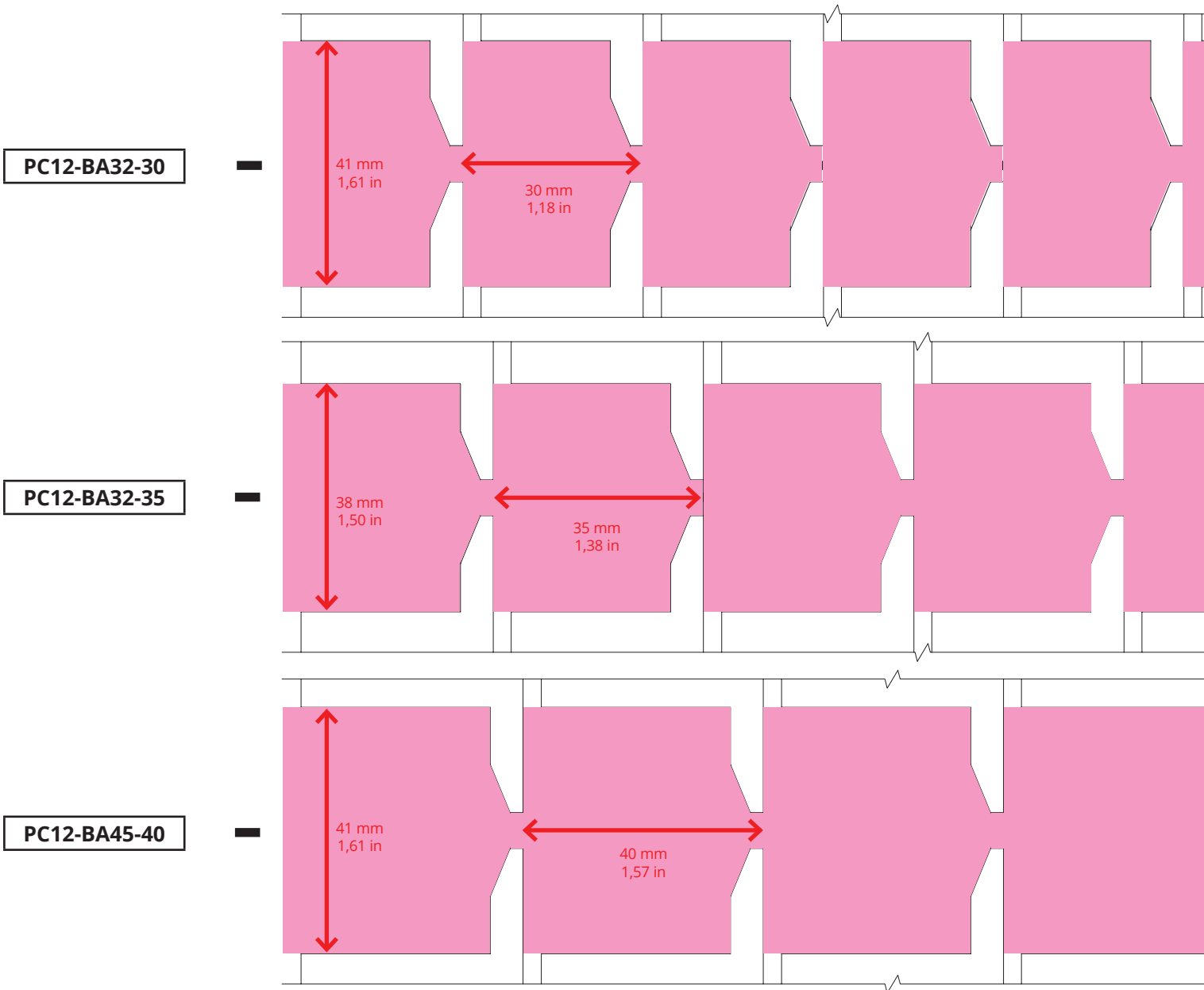
Note2: The number of product trays defines the number of chunks on the skewer stick, this can be more or less then displayed on the image



Use: Lay your prepared skewer on the image and define which type of product tray fits the best according your skewer, this should ease the process to choose the correct tray

Note 1: This image is an intersection of the product trays, please note that the cavities of the trays - with exception of trays for shrimps and mini sausages - are round

Note2: The number of product trays defines the number of chunks on the skewer stick, this can be more or less then displayed on the image

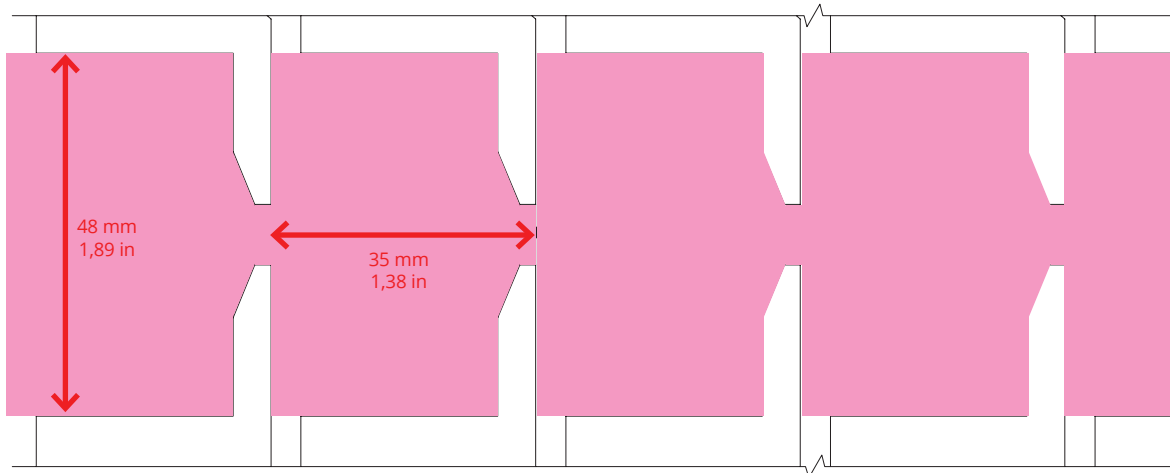


Use: Lay your prepared skewer on the image and define which type of product tray fits the best according your skewer, this should ease the process to choose the correct tray

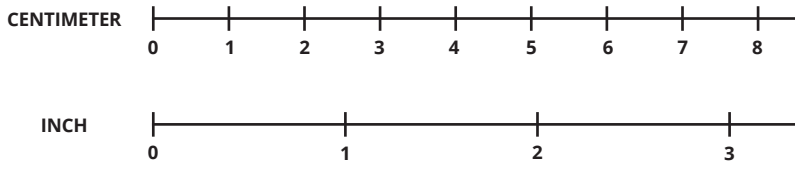
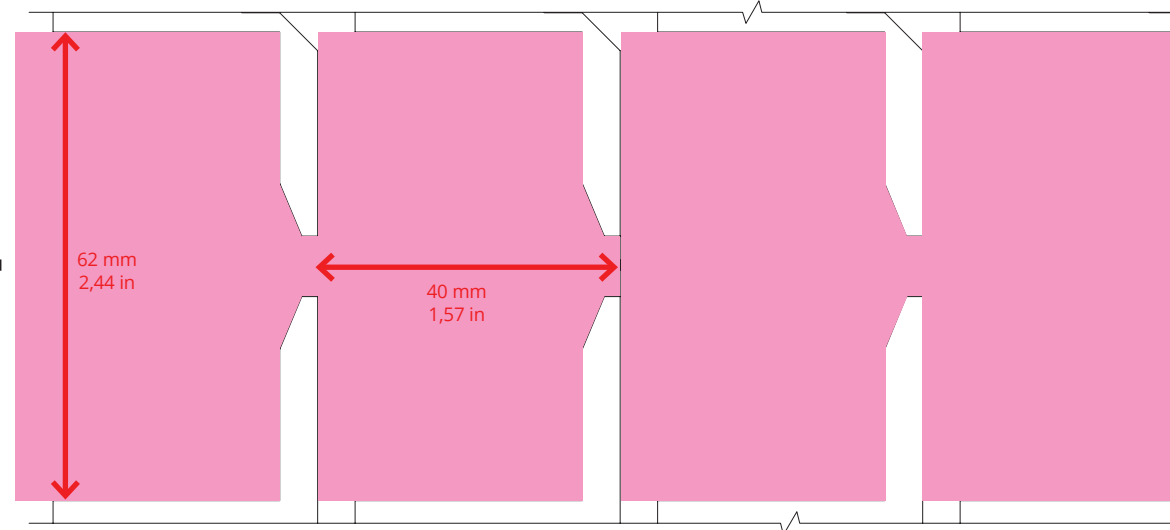
Note 1: This image is an intersection of the product trays, please note that the cavities of the trays - with exception of trays for shrimps and mini sausages - are round

Note2: The number of product trays defines the number of chunks on the skewer stick, this can be more or less then displayed on the image

PC12-BA50-35



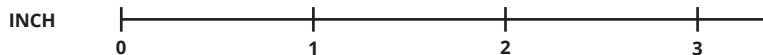
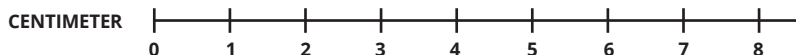
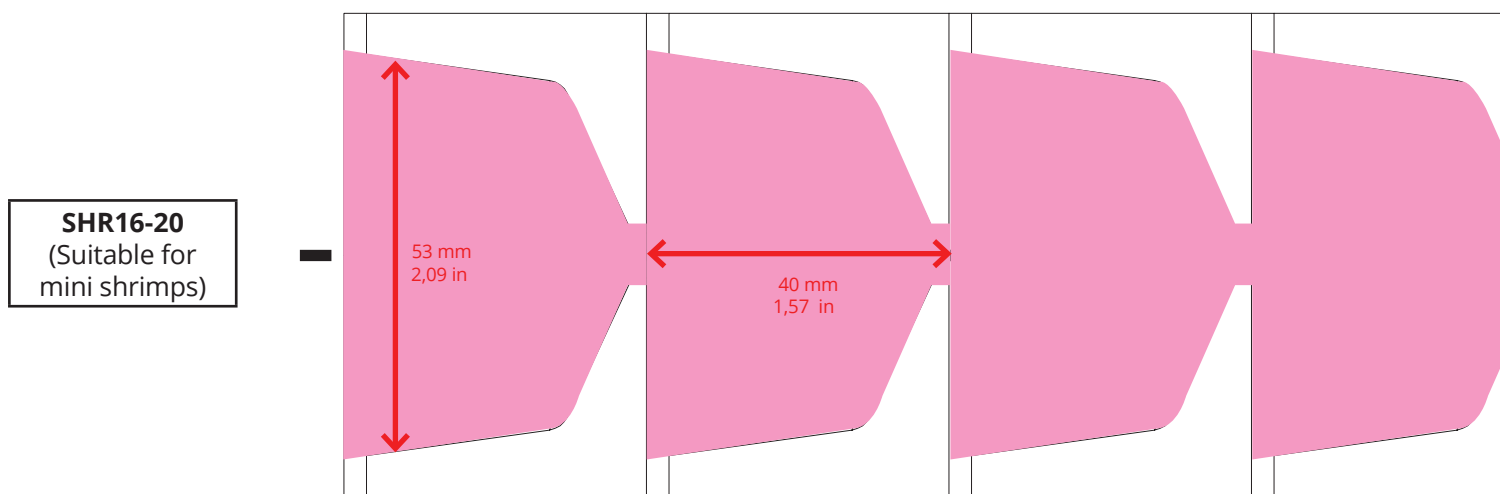
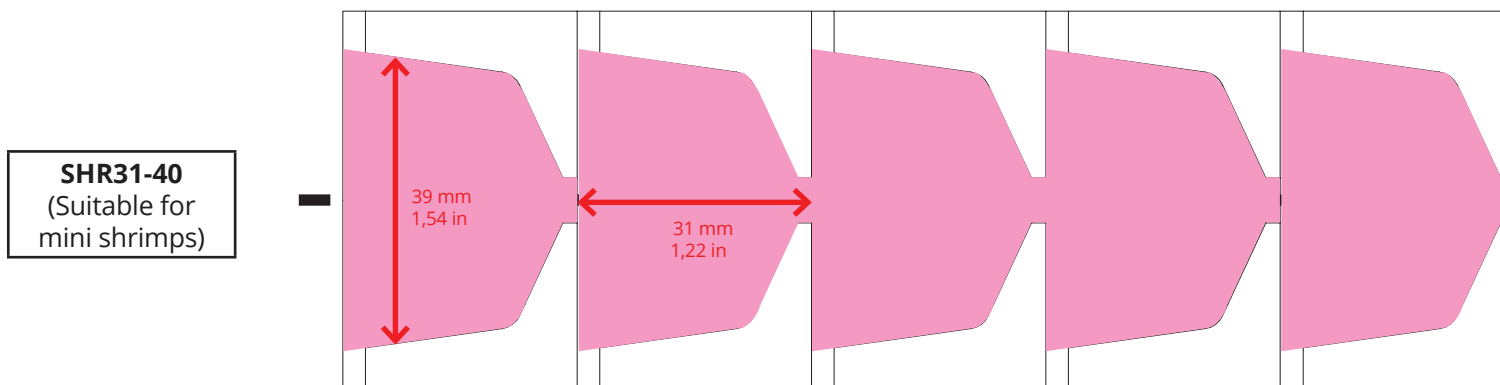
PC12-BA100-40



Use: Lay your prepared skewer on the image and define which type of product tray fits the best according your skewer, this should ease the process to choose the correct tray

Note 1: This image is an intersection of the product trays, please note that the cavities of the trays - with exception of trays for shrimps and mini sausages - are round

Note2: The number of product trays defines the number of chunks on the skewer stick, this can be more or less then displayed on the image



Use: Lay your prepared skewer on the image and define which type of product tray fits the best according your skewer, this should ease the process to choose the correct tray

Note 1: This image is an intersection of the product trays, please note that the cavities of the trays - with exception of trays for shrimps and mini sausages - are round

Note2: The number of product trays defines the number of chunks on the skewer stick, this can be more or less then displayed on the image

